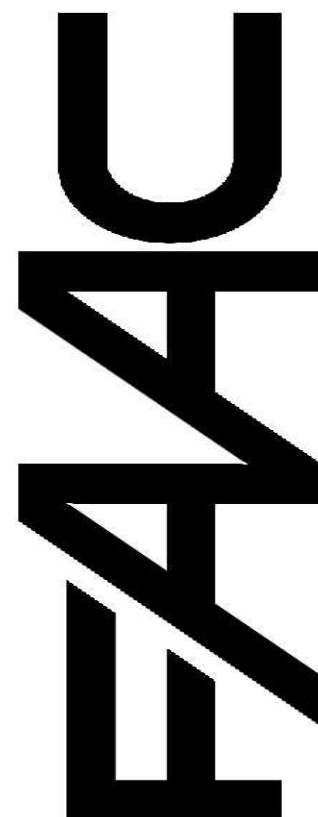


THE 400 OPERATOR AND 455 D CONTROL PANEL: INSTALLATION MANUAL

June, 2006
400 Operator And
455 D Control Panel
Installation Manual

CONTENTS

| | | |
|--------------------------------------------------------------|---------------------------------------------|----|
| Important Safety Information | 2 | |
| Technical Data | 4 | |
| Unpacking the Operator | 5 | |
| The 400 Compact Operator General Characteristics | 6 | |
| Installation Instructions | 6 | |
| Prepare the Gate | 6 | |
| Manual Release Mechanism | 7 | |
| Install the Operator | 7 | |
| Install the 455 D Control Panel | 10 | |
| Exploded View, 400 CBC | 12 | |
| 400 Parts List | 13 | |
| The 455 D Control Panel Installation Instructions | The 455 D Control Panel General Description | 14 |
| | Installing the 455 D Control Panel | 14 |
| | Connect the Main Power Supply | 14 |
| | Connect the Operator to the Control Panel | 15 |
| | Check the Motor's Direction of Rotation | 15 |
| | Connect Other Devices | 16 |
| | Set Other Operating Controls | 18 |
| | Programming | 20 |
| | Learning of Operating Times | 22 |
| | Learning of Normal Times | 22 |
| Learning Times with Gatecoder | 22 | |
| Automated Systems Test | 23 | |
| Logic Tables of 455 D Control Panel | 24 | |
| Maintenance | 26 | |
| Safety in Gate Design | 26 | |
| Troubleshooting | 27 | |
| Limited Warranty | 28 | |



FAAC International, Inc.
303 Lexington Avenue
Cheyenne, WY 82007
www.faacusa.com

IMPORTANT SAFETY INFORMATION

Both the installer and the owner and/or operator of this system need to read and understand this installation manual and the safety instructions supplied with other components of the gate system. This information should be retained by the owner and/or operator of the gate.

WARNING! To reduce the risk of injury or death

1. **READ AND FOLLOW ALL INSTRUCTIONS.**
2. Never let children operate or play with gate controls. Keep the remote control away from children.
3. Always keep people and objects away from the gate. **NO ONE SHOULD CROSS THE PATH OF THE MOVING GATE.**
4. Test the gate operator monthly. The gate **MUST** reverse on contact with a rigid object or stop when an object activates the non-contact sensors. After adjusting the force or the limit of travel, retest the gate operator. Failure to adjust and retest the gate operator properly can increase the risk of injury or death.
5. Use the emergency release only when the gate is not moving.
6. **KEEP GATES PROPERLY MAINTAINED.** Read the owner's manual. Have a qualified service person make repairs to gate hardware.
7. The entrance is for vehicles only. Pedestrians must use separate entrance.
8. **SAVE THESE INSTRUCTIONS.**

When installing the photo-beams supplied with this unit two things need to be considered.

1. Care should be exercised to reduce the risk of nuisance tripping, such as when a vehicle, trips the sensor while the gate is in motion.
2. One or more photobeams shall be located where the risk of entrapment exists, such as the perimeter reachable by the moving gate leaf.

GATE DESIGN

1. A gate is a potential traffic hazard, so it is important that you locate the gate far enough away from the road to eliminate the potential of traffic getting backed up. This distance is affected by the size of the gate, how often it is used, and how fast the gate operates.
2. The operator you choose to install on your gate must be designed for the type and size of your gate and for the frequency with which you use the operator.
3. Your gate must be properly installed and must work freely in both directions before the automatic operator is installed.
4. An automatic operator should be installed on the inside of the property/fence line. Do not install the operator on the public side of the property/fence line.
5. Pedestrians should not use a vehicular gate system. Prevent such inappropriate use by installing separate gates for pedestrians.
6. Exposed, reachable pinch points on a gate are potentially hazardous and must be eliminated or guarded.
7. Outward swinging gates with automatic operators should not open into a public area.
8. The operating controls for an automatic gate must be secured to prevent the unauthorized use of those controls.
9. The controls for an automatic gate should be located far enough from the gate so that a user cannot accidentally touch the gate when operating the controls.
10. An automatic gate operator should not be installed on a gate if people can reach or extend their arms or legs through the gate. Such gates should be guarded or screened to prevent such access.

INSTALLATION

1. If you have any question about the safety of the gate operating system, do not install this operator. Consult the operator manufacturer.
2. The condition of the gate structure itself directly affects the reliability and safety of the gate operator.
3. Only qualified personnel should install this equipment. Failure to meet this requirement could cause severe injury and/or death, for which the manufacturer cannot be held responsible.
4. The installer must provide a main power switch that meets all applicable safety regulations.
5. Clearly indicate on the gate with the 2 warning signs that are included (visible from either side of the gate).
6. It is extremely unsafe to compensate for a damaged gate by increasing hydraulic pressure.
7. Devices such as reversing edges and photobeams must be installed to provide better protection for personal property and pedestrians. Install reversing devices that are appropriate to the gate design and gate application.
8. Before applying electrical power, be sure that the voltage requirements of the equipment correspond to your supply voltage. Refer to the label on your operator system.

USE

1. Use this equipment only in the capacity for which it was designed. Any use other than that stated should be considered improper and therefore dangerous.
2. When using any electrical equipment, observe some fundamental rules:
 - Do not touch the equipment with damp or humid hands or feet.
 - Do not install or operate the equipment with bare feet.
 - Do not allow small children or incapable persons to use the equipment.
3. If a gate system component malfunctions, turn off the main power before making any attempt to repair it.
4. Do not attempt to impede the movement of the gate. You may injure yourself as a result.
5. This equipment may reach high temperatures during operation; therefore, use caution when touching the external housing of the operator.
6. Learn to use the manual release mechanism according to the procedures found in this installation manual.
7. Before carrying out any cleaning or maintenance operations, disconnect the equipment from the electrical supply.
8. To guarantee the efficiency of this equipment, the manufacturer recommends that qualified personnel periodically check and maintain the equipment.

U.L. CLASS AND FAAC OPERATOR

| Model | Duty Cycle | Typical Use |
|---------------------------------------------------------------------|-----------------|------------------------------------------------------------------------------------------------------------------------------------------------------------------------|
| Class I: Residential Vehicular Gate Operator | | |
| 402 | 750 | <ul style="list-style-type: none"> • Home use • Small apartment building, for example, up to 4 units in a building, with limited public access |
| 422 | 760 | |
| 412 | 400 | |
| 620 | 640 | |
| 885 | | |
| | Limited duty | |
| Class II: Commercial/General Access Vehicular Gate Operator | | |
| 400 | 640 | <ul style="list-style-type: none"> • Apartment buildings • Very public access |
| 620 | 885 | |
| | Continuous duty | |
| Class III: Industrial/Limited Access Vehicular Gate Operator | | |
| 400 | 640 | <ul style="list-style-type: none"> • No public access |
| 620 | 885 | |
| | Continuous duty | |
| Class IV: Restricted Access Vehicular Gate Operator | | |
| 620 | 640 | <ul style="list-style-type: none"> • Prison rated security |
| 885 | | |
| | Continuous duty | |

TECHNICAL DATA

| Parameter | 400 Model | | | | |
|---------------------------------------------|------------------------------------------------------------------------------|--------------------------------------------------------------|------------------|------------------------------------------------------------------------------|------------------|
| | Standard | High Speed | Slow Speed | Long (EG) | |
| Model | CBC ² CBA ³ CBAC ⁴ SB ¹ | CBCR ² CBAR ³ CBACR ⁴ | SBS ¹ | CBC ² CBAC ⁴ | SBS ¹ |
| Duty type | Apartment, subdivision, industrial, and commercial applications | | | | |
| Duty cycle | 80 Cycles/ Hour | | | | |
| Maximum leaf length ⁵ , ft (m) | 16 (5.4) | 12 (3.6) | 20 (6) | 18 (5.4) | 22 (6) |
| Maximum leaf weight, lb (kg) | 1300 (600) | 900 (400) | 2000 (900) | 1500 (600) | 2200 (600) |
| Maximum leaf swing, deg | 115 | | | 125 | |
| Thrust and traction, lb (kg) | 0-1760 (0-800) | | | | |
| 90 deg opening time, sec ⁶ | 17 | 12 | 23 | 18 | |
| Operating temperature range, deg F (deg C) | -33 to 165 (-36 to 75) | | | | |
| Thermal cut out, deg F (deg C) | 212 (100) | | | | |
| Hydraulic locking | Opened and/or closed | | None | Opened and/or closed | |
| Operator dimensions, l ´ w ´ h, in. (cm) | 40 X 3 ^{5/16} X 3 ^{5/16} (102 X 8.5 X 8.5) | | | 47 ^{1/2} X 3 ^{5/16} X 3 ^{5/16} (121 X 3 X 8.5) | |
| Operator weight, lb (kg) | 19 (8.6) | | | | |
| Power voltage required, VAC ⁷ | 115 VAC ±10%, 60 Hz, or 230 VAC +6 or -10%, 60 Hz | | | | |
| Amp Draw | 115V = 1.5 Amps; 230V = 1 Amp | | | | |
| Type of oil | Lubrication Engineers - MONOLEC 6115 | | | | |
| Oil quantity, qt (l) | 2 ^{1/3} (2.2) | | | 2 ^{7/8} (2.7) | |

- 1 The operator requires external locks.
- 2 Locks in the extended position. The hydraulic lock is a service device, not a security device.
- 3 Locks in the retracted position. The hydraulic lock is a service device, not a security device.
- 4 Locks in both the extended and retracted positions. The hydraulic lock is a service device, not a security device.
- 5 External locks are recommended if the gate leaves are 12 ft (3.6 m) or longer.
- 6 The time may vary ±10%.
- 7 Your standard 220 VAC power source meets the specification for 230 VAC, +6 or -10%.

UNPACKING THE OPERATOR

When you receive your 400 Operator, complete the following steps.

Inspect the shipping box for physical damage such as leaking oil or a torn carton. Then inspect the operator after you remove it from the box. Notify the carrier immediately if you note any damage. The carrier must witness the damage before you can file a claim.

As you unpack the box, insure that all the following parts included (see Figure 1). If you have ordered a kit (a pair of operators), you will have twice the quantity of parts listed below (except where noted), and you will also have a radio receiver and two transmitters.

- 1 400 Operator - 1 each
- 2 Protective Cover - 1 each
- 3 Protective Cover Tie-Rods - 2 each
- 4 Protective Cover End Cap - 1 each
- 5 Rear Mounting Bracket - 1 each
- 6 Rear Mounting Plate (optional) - 1 each
- 7 Short Brass Pin with 8mm nut and washer - 1 each
- 8 Rear Fork - 1 each
- 9 Long Brass Pin with 8mm self-locking nut - 1 each
- 10 Swivel joint with jam nut and washer - 1 each
- 11 Front mounting bracket with nut and bolt
- 12 Locking cap cover and key for Manual Release - 1 each

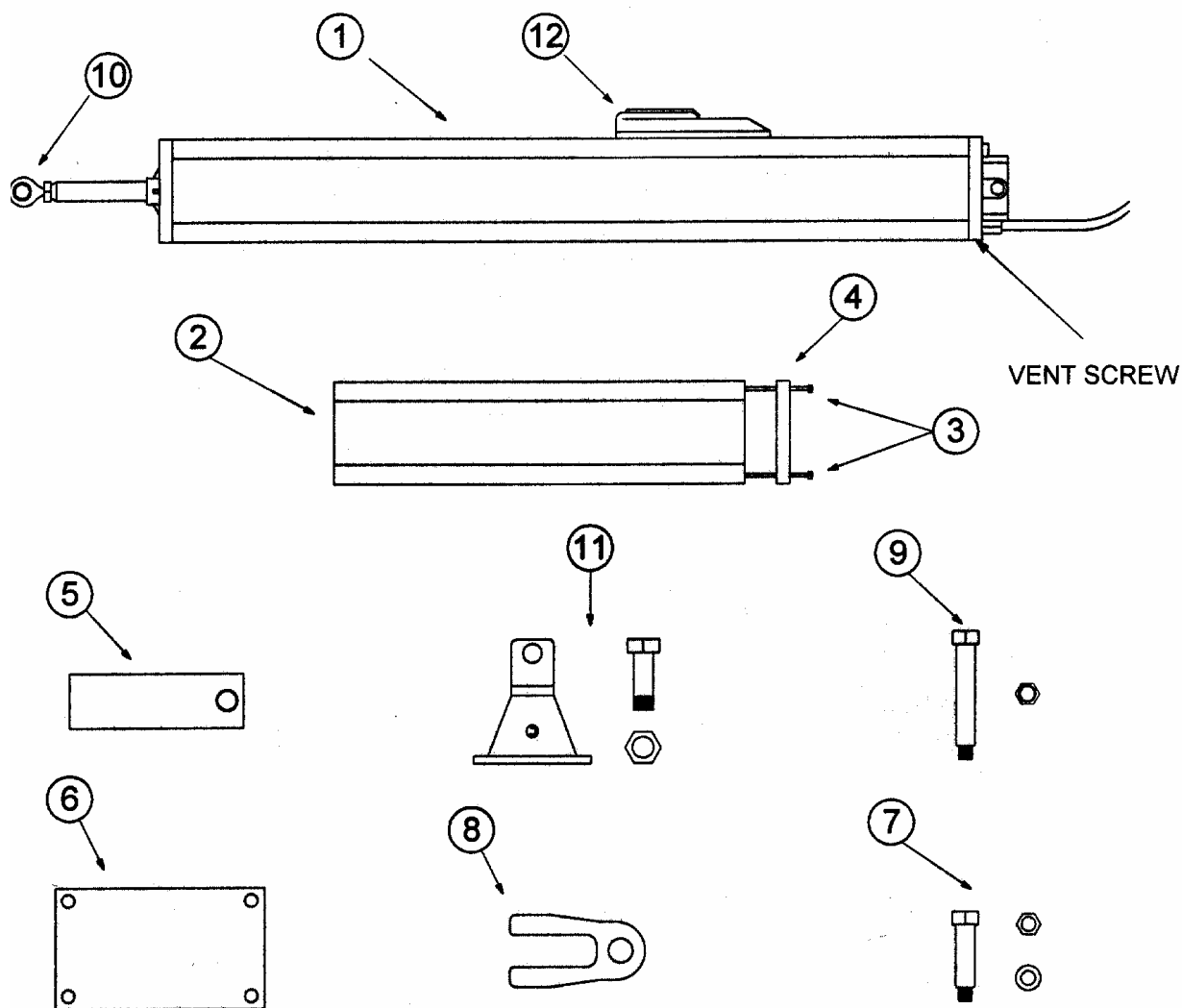


Figure 1. Parts of the 400 Operator

THE 400 OPERATOR

GENERAL CHARACTERISTICS

The FAAC 400 Operator is an automatic gate operator for a swinging gate leaf. It can accommodate a gate leaf of up to 2000 lb (900 kg) and up to 20 ft (6 m) in length.

The self-contained 400 Operator is an electro-hydraulic unit consisting of an electric motor, a pump, a valve assembly, and a hydraulic cylinder, all housed in an anodized aluminum oil reservoir.

The 400 Operator can be used to swing the gate leaf inward or outward. Most versions provide hydraulic locking in at least one position, either opened or closed, depending on how it was ordered.

The hydraulic lock is a service device rather than a security device. Additional, external locks are recommended under the following conditions:

- You are installing the Model 400 SB
- The length of the gate leaf is 12 ft or more
- The installation requires tight security
- The site is subject to vandalism
- The site is subject to strong or very gusty wind
- You are installing a solid face gate

For gates with two leaves, two operators are installed, one on each leaf, and both are wired to one control panel. In such two-operator gate installations, one leaf can be programmed to open/ close slightly later than the other leaf to accommodate overlapping gate designs.

For its protection, the single-phase, bidirectional motor shuts off automatically if its operating temperature reaches 212 deg F (100 deg C). Also for the protection and proper operation of the 400 Operator, each gate leaf on which it is installed must have a fixed positive stop in both the opened and closed positions.

The 400 Operator also includes a key-operated Manual Release mechanism and two bypass valves that pre-cisely control the force applied to the gate leaf through the 400 Operator.

The Manual Release mechanism is a key-operated device that disengages (or engages) the hydraulic system of the 400 Operator. When the hydraulic system is disengaged, you can open and close the gate leaf by hand. Such manual operation of the gate is necessary during installation and useful during power failures. The two bypass valves are located beneath the locking cap. You need to adjust the bypass valves to meet the safety standards of FAAC International, Inc. The standards state that the gate leaf should stop if it encounters a force of more than 33 lb (15 kg).

Additional reversing devices (such as inductive loops and photocells) should be installed to provide more complete protection for people and property.

The electronic control panel is a microprocessor-based controller that accepts a wide range of product accessories and reversing devices, thus allowing for flexible gate system design.

INSTALLATION INSTRUCTIONS

Installing the 400 Operator involves preparing the gate, installing the operator(s), installing the control panel, and fine-tuning the pressure adjustments on the operator(s).

Note: The following installation instructions assume you are fully capable of installing an operator. This manual does not instruct you in designing a gate, installing a gate, or basic electrical wiring. The installation tasks discussed in this manual are tasks particular to the 400 Operator.

PREPARING THE GATE

Before installing the 400 Operator, you need to prepare the gate itself for the operator. Be sure to do the following things:

1. Make sure that the gate is plumb.
2. Make sure that the gate moves smoothly on its hinges without excessive friction by swinging it open and closed by hand. Lubricate all the gates' moving parts.
3. Provide positive stops for the gate leaves in the fully open and fully closed positions (see Figure 2).

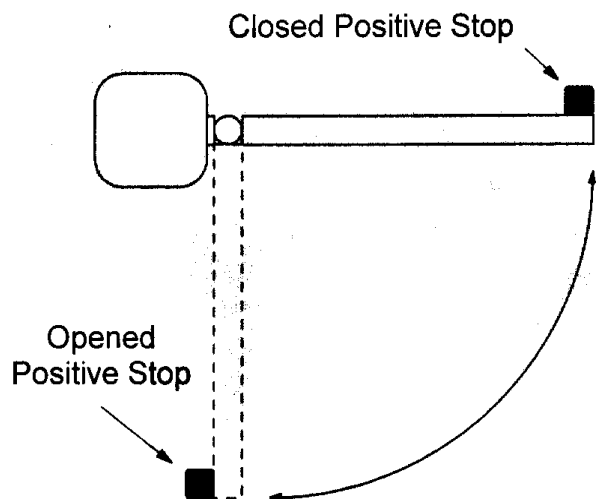


Figure 2. Positive Stops

MANUAL RELEASE MECHANISM

To move the gate operator manually during installation and/or power failures do the following procedures:

- Lift the key lock cover (1) and insert the manual release key.
- Turn the key (2) 90° clockwise to open the locking cap cover (3).
- Lift up the cover.
- Turn the manual release knob (4) counter-clockwise for (2) two full turns.
- Open or close the gate leaf manually.
- To return the operator to normal working status, do these steps in reverse order.

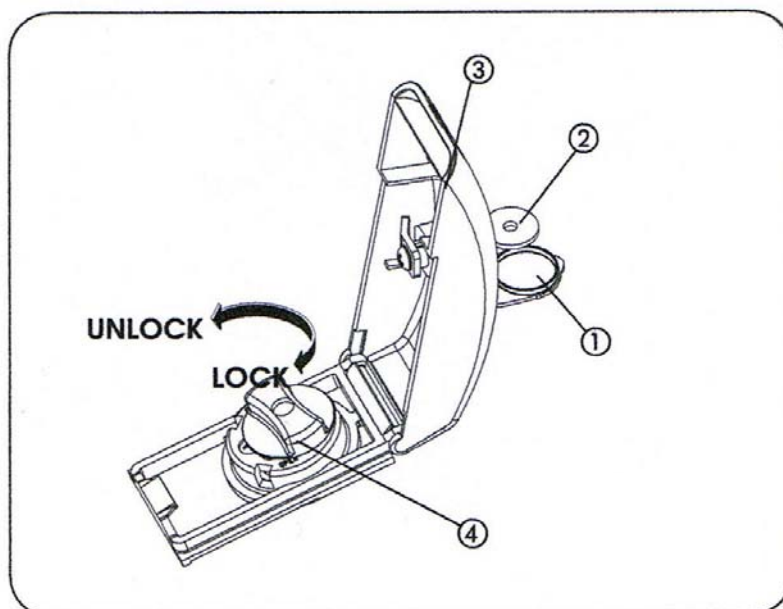


Figure 3. Manual Release

INSTALLING THE OPERATOR

Installing the 400 operator consists of the following steps:

1. Attach the rear mounting bracket
2. Attach the mounting hardware
3. Attach the front mounting bracket
4. Attach the operator to the gate
5. Adjust the operator pressure

ATTACH THE REAR MOUNTING BRACKET

Attach the rear mounting bracket according to the dimensions in Figure 4.

WARNING! You must achieve the A and B dimensions, as specified in Figure 4. Modification of the rear bracket may be necessary to achieve these dimensions (i.e., cutting or extending the bracket provided)

If you have a steel gate post, weld the rear bracket directly to it. If the gate post is made of any other material, attach the optional mounting plate, with lag bolts or anchors, and weld the bracket to it.

For an outward swing gate refer to Figure 5.

ATTACH THE MOUNTING HARDWARE

Insert the rear fork (hex cut up if you have a nylon rear fork) into the rear flange of the operator. Secure with long brass pin and self-locking nut.

Screw the jam nut onto the swivel joint. Slide the washer on next and screw the swivel joint halfway into the piston rod. Temporarily attach the front mounting bracket to the swivel joint with the nut and bolt provided.

ATTACH THE FRONT MOUNTING BRACKET TO THE OPERATOR

Release the operator as shown in Fig. 3. Put the operator into position and attach the rear fork to the rear mounting bracket using the short brass pin, washer, and nut.

For inward swing, pull the piston out completely and push back approximately 1/4" (6mm). For outward swing, push the piston in completely and pull back out approximately 1/4" (6mm).

Note: Be sure that the operator is level and that the gate is against the close positive stop.

Hold the front mounting bracket flush against the gate. Mark the location of the front mounting bracket. Remove the operator from the gate. Remove the front mounting bracket from the swivel joint.

Note: Clamping the front mounting bracket at the marked location before checking the swing, as instructed below, will ensure proper location of the front mounting bracket.

Bolt or weld the front mounting bracket to the marked location on the gate.

WARNING! Do not weld the front mounting bracket with the operator attached. Doing so will seriously damage the operator.

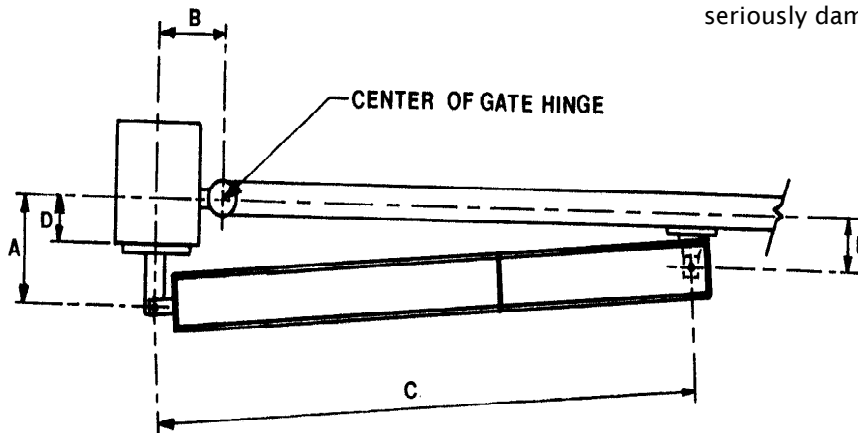


Figure 4. Important mounting dimensions for inward swing 400 operators, top view

| | Desired Swing | Dimensions, in. (cm) | |
|---|-------------------------------|-----------------------------------------------------|------------------------------------------------|
| | | 400 Standard High speed and Slow speed models | 400 Long |
| A | 90-deg swing 115-deg swing | 5 (13) 4 (10) N/A | 7 7/8 (20)* or 11 1/2 (29)** 5 3/4 (14.6) |
| B | 90-deg swing 115-deg swing | 5 (13) 4 3/4 (12) N/A | 7 1/2 (19)* or 3 (7.5)** 7 (17.8) |
| C | All Swings | 38 3/16 (97) | 47 5/8 (121) |
| D | 90-deg swing 115-deg swing | Max 3 (8) Max 2 (5) N/A | Max 5.5 (14)* or 9.5 (24)** Max 3 1/2 (8.9) |
| E | All Swings | Must be less than A | |

* For A, B, and D, if you choose one of these values with one asterisk, then you must choose the other values with one asterisk.

** For A, B, and D, if you choose one of these values with two asterisks, then you must choose the

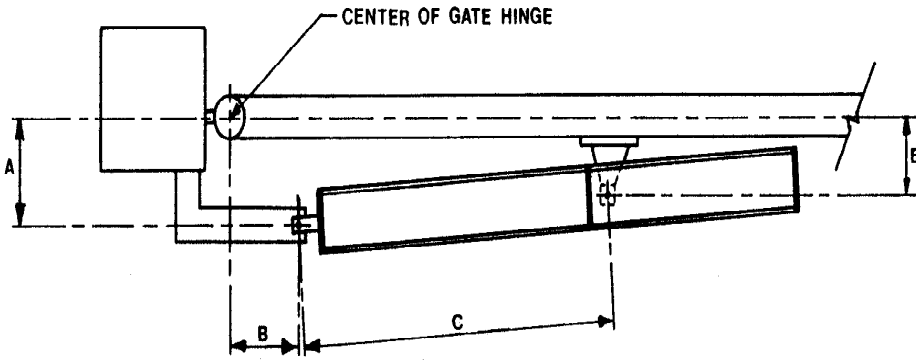


Figure 5. Important mounting dimensions for outward swing 400 operators, top view

| Dimensions, In. (cm) | |
|-------------------------------------------------------|-------------------------|
| 400 Standard, high speed, slow speed, and long models | |
| A | 5 (13) |
| B | 5 (13) |
| C | 27 ^{9/16} (70) |
| D | No Limit |
| E | Must be less than A |

ATTACH THE OPERATOR TO THE GATE

Re-attach the operator to the mounting brackets. Once the operator is mounted and level, remove the vent screw from the bottom of the rear flange. (See Figure 1)

WARNING! Failure to remove the vent screw may result in erratic operation of the operator or blown seals.

Slowly move the gate open and close.

WARNING! The piston should not bottom out in either direction. Doing so will seriously damage the operator.

Be sure that the gate reaches the positive stop before the piston bottoms out. Adjust the swivel joint if necessary.

After checking the swing of the gate, secure all nuts and bolts, including the jam nut on the swivel joint.

Once the operator is secure, attach the protective cover to the front flange with the tie rods and end cap provided.

Note: Lubricating the threads of the protective cover tie rods can prevent them from freezing up and breaking if operator is ever removed for service.

Once the protective cover is installed, swing the gate to ensure that it does not contact the cover at any point of the swing.

Re-engage the operator by inserting the key in the locking cap (see Figure 3) and turning it clockwise until snug. Remove the key.

ADJUST THE OPERATOR PRESSURES

The 400 Operator has an anti-crushing safety device (operator pressure) which limits the operator's force if an obstacle is encountered while the gate is moving.

To adjust the anti-crushing safety device do the following procedures:

- Lift the key lock cover (figure 3) and insert the manual release key.
- Turn the key 90° clockwise to open the locking cap cover.
- Lift up the cover.
- Refer to figure 6 for the following procedures)
- Remove the screw (3) which secures the knob (4) and then remove the knob.
- Locate the pressure adjustment (by-pass) screws (5 and 6)
- Opening pressure screw (green wording = gate opening direction)
- Closing pressure screw (red wording = gate closing direction)
- When you are finished adjusting the pressure(s), reinstall the manual release knob
- Close the cover and lock it by turning the key counterclockwise)

NOTE: F A A C recommends the maximum pressure to be set at 33lbs at the leading edge of the gate leaf.

WARNING: Do Not Exceed the UL regulations of 45lbs. At the leading edge of the gate leaf

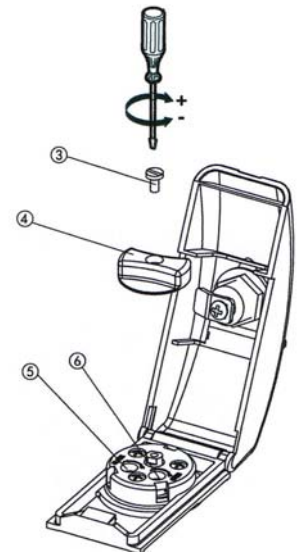


Figure 6. Locking Cap Assembly

INSTALLING THE 455 D CONTROL PANEL

Locate the control panel in the most convenient position possible, considering the movement of the gate. Figure 7 shows a basic layout for a two-leaf gate with the 400 Operator.

Installing the control panel consists of the following general steps:

- Connecting the main power to the control panel
- Connecting the activating device
- Connecting the operator to the control panel
- Checking the direction of the motor's rotation
- Connecting other devices to the control panel
- Set operating modes

The installer is responsible for grounding the gate and operator systems, for providing the main power breaker switch, and for making sure that the entire gate system meets all applicable electrical codes.

For the complete 455 D Control Panel Installation Instructions, see pages 14—25 of this manual.

BLEED THE OPERATOR

Air bubbles in hydraulic fluid cause erratic performance in a hydraulic system, so you must rid the 400 Operator of that air to insure smooth operation.

If you have removed the vent screw, the 400 operator should bleed itself. Running the operator should remove any air from the system. If the operator runs smooth throughout the swing, no attempt to further bleed the unit is necessary.

If the operator runs erratic, perform 10 bleeding operations. One bleeding operation consists of automatically opening and closing the gate and then pausing for two minutes. The 2-min pause allows the air bubbles to escape through the vent screw hole.

THIS COLUMN IS LEFT BLANK INTENTIONALLY.

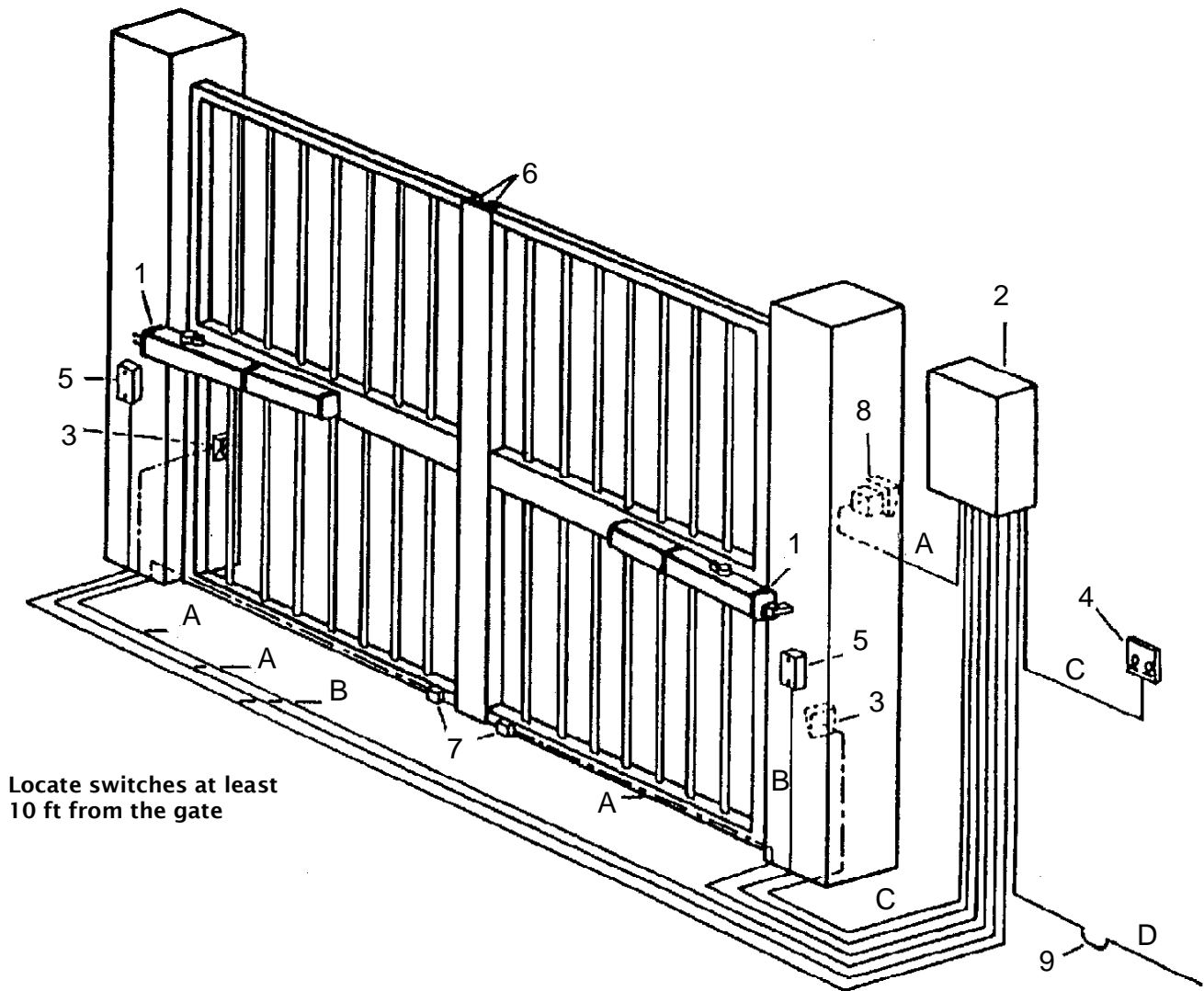


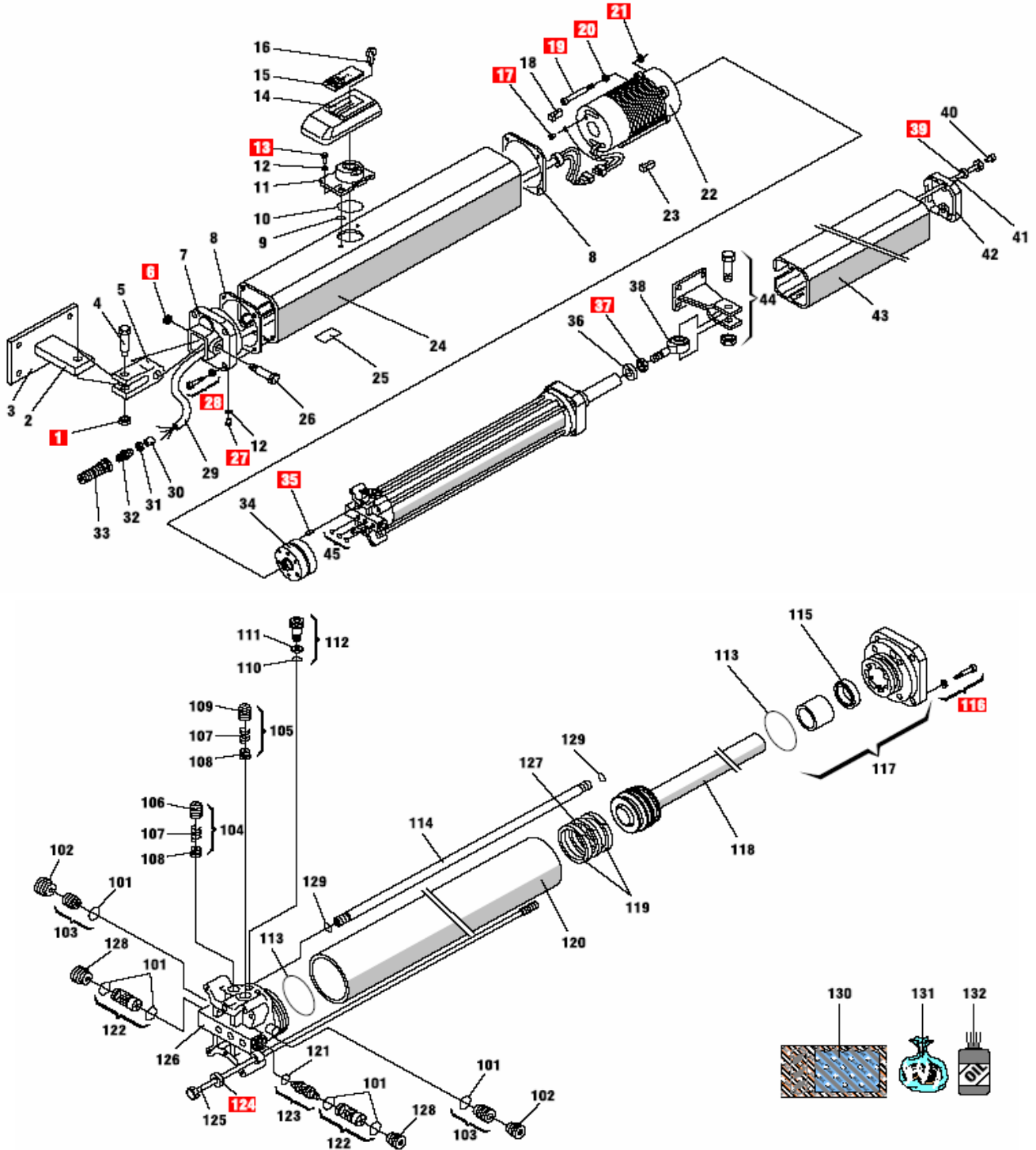
Figure 7. The layout of a sample gate system

- 1 Operator
- 2 Control Panel
- 3 Photocell
- 4 Switch
- 5 Junction box (see text)
- 6 Reversing edges
- 7 Gate stops
- 8 Switch
- 9 Wiring to main circuit breaker

Wire Gauges for Given Voltage

| | 220 VAC | 115 VAC |
|---|-------------------------|----------------------------------------------------|
| A | 2 × 18 AWG | 2 × 18 AWG |
| B | 4 × 14 AWG | 4 × 14 AWG |
| C | 5 × 18 AWG | 5 × 18 AWG |
| D | 4 × 14 AWG up to 414 ft | 3 × 14 AWG up to 130 ft 3 × 10 AWG up to 340 ft |

EXPLODED VIEW, 400 CBAC



400 PARTS LIST

| POS | PART NO. | DESCRIPTION | QTY |
|------|------------|-----------------------------|-----|
| 1 | 2036 | Galvanized Nut (8mm) | 1 |
| 2 | 7220015 | Rear Bracket | 1 |
| 3 | 7284005 | Rear Bracket Plate | 1 |
| 4 | 7182075 | Short Pin | 1 |
| 5 | 722110 | Rear Fork | 1 |
| 6 | 2037 | Self-Locking Nut (8mm) | 1 |
| 7 | 7170865 | Rear Flange | 1 |
| 8 | 70991015 | Gasket (D80) | 2 |
| 9 | 7090440015 | O-Ring Locking Cap (Small) | 2 |
| 10 | 7090655 | O-Ring Locking Cap (Center) | 1 |
| 11 | 41850215 | Locking Cap | 1 |
| 12 | 7094065 | Gasket (copper) | 3 |
| 13 | 2274 | Vent Screw (4x6mm) | 3 |
| 14 | 7270805 | Locking Cap Cover | 1 |
| 15 | 7270815 | Access Slide (Locking Cap) | 1 |
| 16 | 7131005 | Viro Key (Manual Release) | 1 |
| 17 | N/A | Self Threading Screw (4mm) | 1 |
| 18 | 7119475 | Vibration Dampener | 2 |
| 19 | 2365 | Motor Bolt (4X50mm) | 4 |
| 20 | 2366 | Lock Washer (4mm) | 4 |
| 21 | 2367 | Hex Nut (4mm) | 4 |
| 22** | 77000425 | 115V 1400 RPM Motor | 1 |
| 23 | 7119485 | Vibration Dampener | 2 |
| 24 | 309003 | Operator Body | 1 |
| 25 | N/A | Vent Screw Label | 1 |
| 26 | 7182175 | Long Pin | 1 |
| 27 | 2274 | Vent Screw (4x6mm) | 3 |
| 28 | N/A | Socket Head Screw (5X20mm) | 8 |
| 29 | 7514055 | Electric Power Cord | 1 |
| 30* | 2581 | Fiber Washer | 1 |
| 31* | 7039305 | Strain Relief Brass Washer | 1 |
| 32* | 7109235 | Strain Relief Nut | 1 |
| 33* | 7109235 | Strain Relief | 1 |
| 34 | 3204445 | 1Lt Lobe Pump | 1 |
| 35 | N/A | Pump Pin (4X28mm) | 2 |
| 36 | 3060 | Washer (Swivel) | 1 |
| 37 | 2069 | Swivel Jam Nut (10mm) | 1 |
| 38 | 7073025 | Swivel Joint | 1 |
| 39 | N/A | Star Washer (5mm) | 2 |

| POS | PART NO. | DESCRIPTION | QTY |
|-----|------------|--------------------------------|-----|
| 40 | 7119405 | Protective Cover End Cap Plug | 2 |
| 41 | 7019195 | Tie-Rod (Protective Cover) | 2 |
| 42 | 4170015 | Protective Cover End Cap | 1 |
| 43 | 7272105 | Protective Cover | 1 |
| 44 | 7220355 | Front Mounting Bracket | 1 |
| 45 | 7090010015 | O-Ring | 3 |
| 101 | 7090010015 | O-Ring | 5 |
| 102 | 7049005 | Valve Retainer | 2 |
| 103 | 4404065 | Inlet Valve | 2 |
| 104 | 4180035 | Red By-Pass Cap Assembly | 1 |
| 105 | 4180045 | Green By-Pass Cap Assembly | 1 |
| 106 | 7119015 | By-Pass Cap (Red) | 1 |
| 107 | 7210025 | By-Pass Spring | 2 |
| 108 | 7310315 | By-Pass Cap | 2 |
| 109 | 7119115 | By-Pass Cap (Green) | 1 |
| 110 | 7090280015 | O-Ring (Manual Release) | 3 |
| 111 | 4180195 | Extrusion Ring | 1 |
| 112 | 4180195 | Manual Release | 1 |
| 113 | 7090360025 | O-Ring (Valve Body) | 1 |
| 114 | 7361335 | Retract Tube | 1 |
| 115 | N/A | O-Ring Front Flange (Internal) | 1 |
| 116 | 2364 | Front Flange Bolt (5 x 20mm) | 4 |
| 117 | 4994265 | Front Flange | 1 |
| 118 | 4350105 | Piston Rod Assembly | 2 |
| 119 | 7091015 | Piston Rod Seals | 2 |
| 120 | 7366025 | Cylinder | 1 |
| 121 | N/A | O-Ring (Shuttle Piston) | 1 |
| 122 | 4404085 | Lock Valve | 1 |
| 123 | 4180285 | Shuttle Piston | 1 |
| 124 | N/A | Star Washer (5mm) | 4 |
| 125 | 7230295 | Tie Rod (Cylinder) | 4 |
| 126 | 4994345 | Valve Body (CBAC) | 1 |
| 127 | N/A | Guide Ring (Piston) | 1 |
| 128 | 7049005 | Lock Valve Retainer (Brass) | 2 |
| 129 | 7090815 | O-Ring (Retract Tube) | 2 |
| 130 | 3905265 | Skin Pack | 1 |
| 131 | 2167* | Seal Kit | 1 |
| 132 | 6115* | Oil | 1 |

* Included in Kit #2167A*

** 220V 1400RPM Motor Part #7700205 (8uF)

** 220v 1400RPM Motor Part # 77000415 (16uF)

THE 455 D CONTROL PANEL

GENERAL DESCRIPTION

The FAAC 455 D control panel is used to operate the following models.

Swing gate operators:

| | |
|-----|-----|
| 400 | 412 |
| 402 | 750 |
| 422 | 760 |

Barrier gate operators:

610/615

The 455 D programming controls the following:

Operating logic: A, S, E, EP, B, and C logics available.

Reversing device behavior: Choose whether a triggered reversing device during closing immediately reverses gate movement or stops the gate and reverses gate movement when no longer triggered.

Torque or Pressure: Force adjustment for the 412 operator. Adjustable from 0 to 50.

Caution: For all hydraulic operators, the torque **must** be programmed to the maximum (50) setting.

Pause time between opening and closing: adjustable from 0 to 240 seconds.

Opening/Closing time: adjustable from 0 to 120 seconds.

Leaf delay on closing: adjustable from 0 to 28 seconds.

The 455 D control panel should be installed in an enclosure that is conveniently located as close as possible to the gate operator. All electrical connections from the control panel to the operator must be made in a weatherproof junction box.

The 455 D control panel requires a single-phase power supply voltage (115 VAC [$\pm 10\%$] or 230 VAC [$+6$ or -10%], 50-60 Hz). The power supply should be protected by a 15 amp dedicated circuit breaker (not provided).

The installer is responsible for grounding the operator system, for providing the main power

breaker switch, and for making sure that the entire gate system meets all applicable electrical codes. The installer should refer to the installation manual for a given operator for more information.

NOTE: An installation is U.L. compliant only when you install the FAAC operators according to the UL325 standards.

INSTALLING THE 455 D CONTROL PANEL

Locate the control panel in the most convenient position possible, considering the movement of the gate.

Installing the control panel consists of the following general steps:

- Connecting the main power to the control panel
- Connecting the activating device
- Connecting the operator to the control panel
- Checking the direction of the motor's rotation
- Connecting other devices to the control panel
- Set operating modes

CONNECT THE MAIN POWER SUPPLY

WARNING! Turn the main power off before you make any electrical connections or before programming.

Wire the main power supply to control panel terminals in block J3 (see Figures 9 and 11). The installer is responsible for insuring that a separate, grounded circuit protected by a circuit breaker is between the control panel and the main power supply. All wiring should conform to applicable electrical codes, and all wiring and fittings should be weatherproof and/or suitable for burial.

Connect the ground to the grounding terminal in block J3 and connect the power wires to the terminals labeled N (neutral) and L (line).

NOTE: For a 230V system, a neutral is not needed. Connect one 115V line to the L (Line) and a second 115V line to the N (Neutral).

CONNECT THE OPERATOR(S) TO THE CONTROL PANEL

WARNING! Turn the main power off before you make any electrical connections or before programming.

CAUTION: The operators are grounded only by the grounded circuit the installer provides.

USING A JUNCTION BOX

If an operator is more than 2 ft away from the control panel, you must use a junction box for connection. Use a U. L. Listed cord grip where the operator cord enters the junction box.

Note: If you have a one-leaf gate design, the operator **must** be connected to Motor 1 (terminals 1,2, & 3)

To wire up motor 1, connect the white wire to terminal 1(on the J4 terminal strip), the black wire to 2, and the red wire to 3. Wire each leg of the capacitor (supplied) to terminals 2 & 3.

Note: If you want to delay the closing of one gate leaf in a two-leaf gate design, be sure to connect its operator to Motor 1.

In order to wire motor 2 in a bi-parting system, connect the white wire to terminal 4 (on the J4 terminal strip), the black wire to 5, the red wire to 6. Wire each leg of the capacitor (supplied) to terminals 5 & 6.

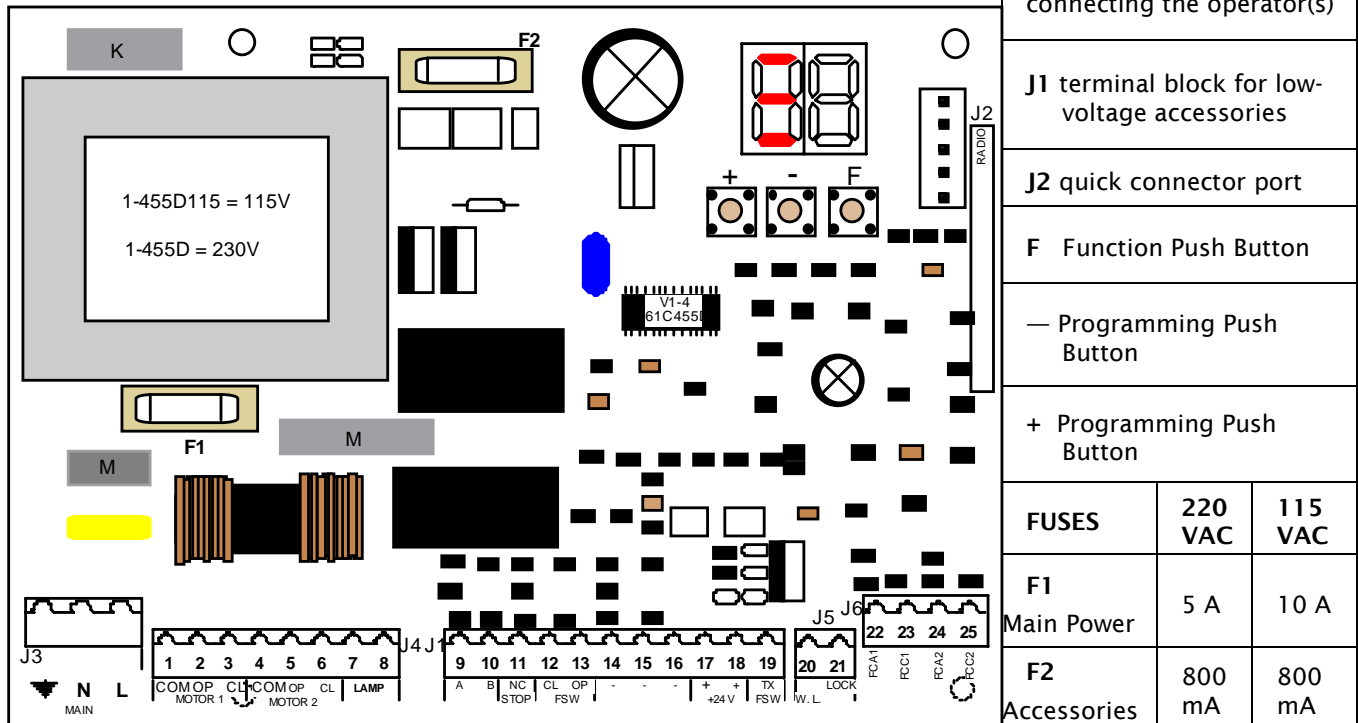
CHECK THE MOTOR'S DIRECTION OF ROTATION

WARNING! The pressure valves are not preset at the factory and may operate a gate leaf with enough force to endanger people and seriously damage the gate leaf itself. Refer to your operator's installation manual to decrease the hydraulic pressures before checking the motor's direction of rotation.

After you have connected the main power supply, and the operator(s) to the control panel, you need to check the direction of rotation for each operator motor in your gate design.

Note: To check a motor's direction of rotation, you must have three closed circuits on terminal block J1. Install one circuit between terminals 11 and 16, another circuit between terminals 12 and 19, and another circuit between terminals 13 and 19.

Figure 9. The 455 D Control Panel



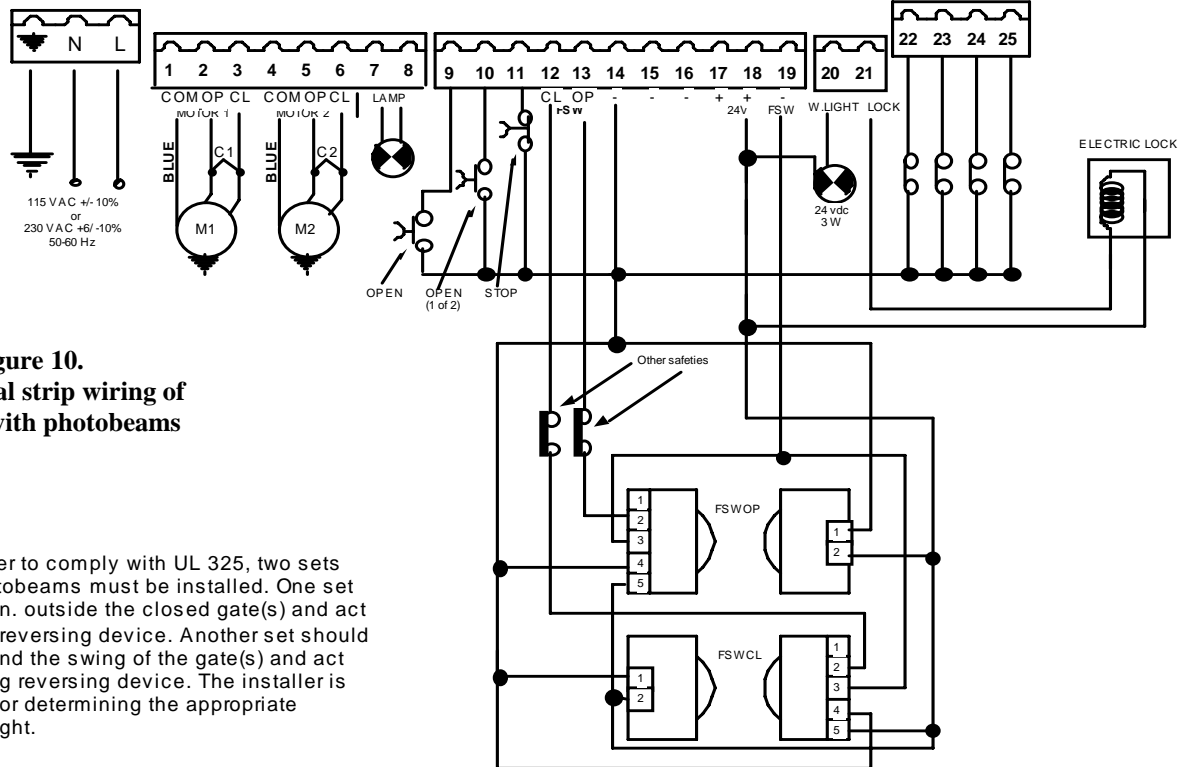


Figure 10.
The terminal strip wiring of
the 455 D with photobeams

NOTE: In order to comply with UL 325, two sets of FAAC photobeams must be installed. One set should be 6 in. outside the closed gate(s) and act as a closing reversing device. Another set should be 6 in. beyond the swing of the gate(s) and act as an opening reversing device. The installer is responsible for determining the appropriate mounting height.

You cannot check the motor's direction of rotation without these circuits (jumpers) or the accessories. When properly prepared for testing, the LEDs FSWOP, STOP, and FSWCL should be illuminated (see figure 12 on page 17).

WARNING! Running the operator—even for testing purposes—without a connected reversing device is potentially dangerous. Do not place yourself within the path of the moving gate during your test.

Disengage the operator(s) with the Manual Release key (see operator installation manual), and open the gate by hand about halfway.

Next, engage the operator(s) with the Manual Release key so that you can check the rotation of the motor(s).

To activate the operator(s) momentarily short across terminals 9 and 14.

Turn on the main power and send an activating signal to the operator. The gate leaf (or leaves) should open. If a gate leaf closes, then you need to turn off the main power and reverse the connection of the red and black wires on terminal block J4 for the operator controlling that leaf. Then you need to recheck the rotation direction again.

After having completed your test of the motor's direction of rotation, replace any test circuits you installed (between terminals 11 and 16, between 12 and 19, and between 13 and 19) with the proper reversing and stop devices. The instructions for installing such accessories follow.

CONNECT OTHER DEVICES

WARNING! Turn the main power off before you make any electrical connections.

POWER SUPPLY FOR ACCESSORIES: You can access a 24 VDC output for supplying power to accessories through terminals 17 or 18, (+) and 14 or 15 or 16, (-) on terminal block J1. In most cases, this source can be used to power 24 VDC accessories.

NOTE: The 455 D control panel allows a maximum accessory load of 800 mA.

REVERSING DEVICES: Reversing devices include photocells, inductive loops, and so forth. All of the reversing devices should have contacts of the normally closed (N.C.) type. Where you connect a device depends on whether you want the device to operate during opening or during closing.

NOTE: UL **does not** recognize the FAAC system with loop detectors or safety edges. FAAC photobeams must be used to comply with UL 325.

To wire photobeams, refer to page 19 (see FSWOP for opening photobeams, and FSWCL for closing photobeams). Photobeams must be connected as shown. See also page 19 for the wiring of inductive loops. If using more than one reversing device, they must be wired in series.

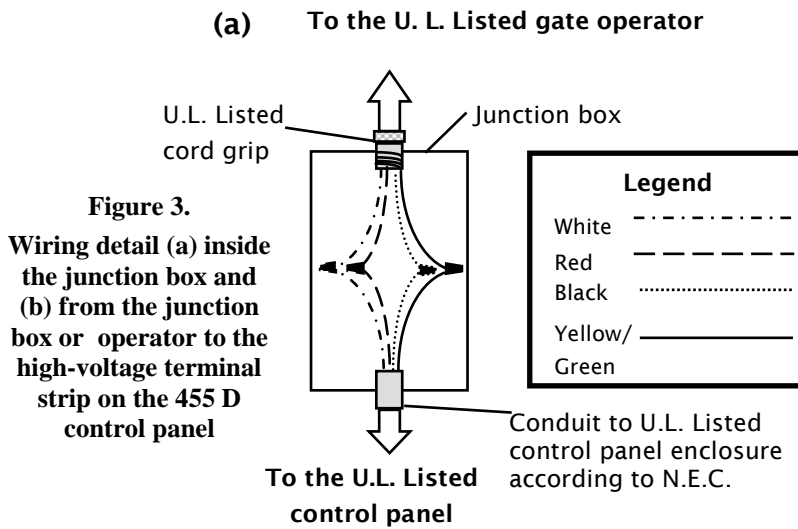
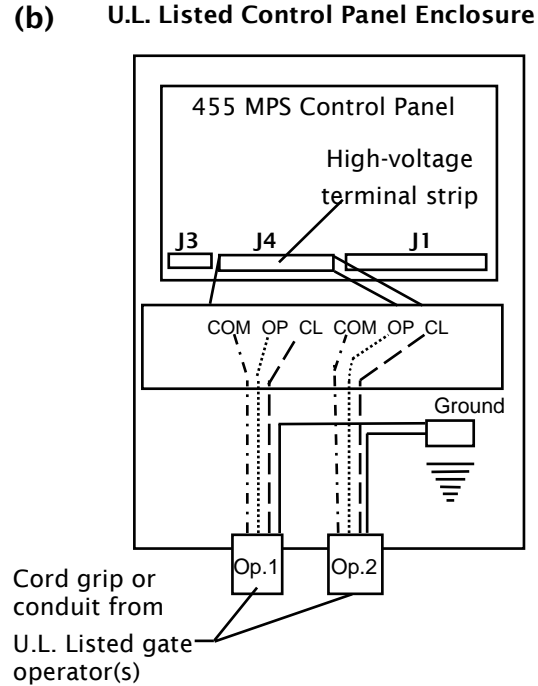


Figure 3.
 Wiring detail (a) inside the junction box and (b) from the junction box or the operator to the high-voltage terminal strip on the 455 D control panel



ACTIVATING DEVICES AND RADIO RECEIVER: The activating devices and radio receiver for your gate must have normally open (N.O.) contacts. Connect such devices to terminals 9 and 14.

NOTE: The FAAC radio receiver plugs into the 5 prongs labeled J2 (Quick connect port).

Page 19 shows how to connect a three or four wire receiver.

DECODER CARD: If you are installing the Digicard magnetic card reader, or the Digikey keyboard, use the quick-fit connector J2 for the DS decoder card (see Figure 1).

NOTE: If your using both a receiver and decoder, hard wire the decoder and plug in the receiver.

OPEN/HOLD OPEN DEVICE: To open and hold open the gate, simply maintain a contact across terminals 9 and 14. ("A" Mode only)

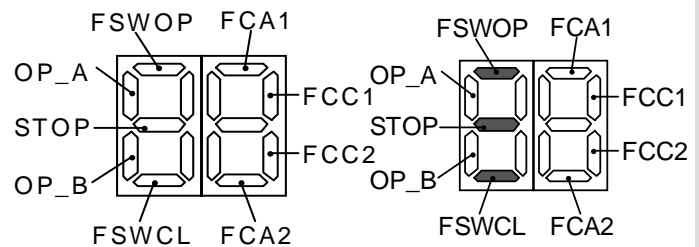
STOP BUTTON: The stop button you install must have normally closed (N.C.) contacts. Multiple stop buttons must be wired in series. Connect your stop device between terminals 11 and 16.

NOTE: The 455 will not operate the motors without a closed circuit between 11 & 16.

The LED Indicators: The nine light emitting diodes (LEDs) on the control panel can be used to check for the proper function of the devices attached to the panel. The LED lights are on whenever the contacts are closed across each of the respective terminals.

OP_A and OP_B (Partial Opening) should illuminate only when an activating signal is sent for 2 and 1 gate leaves, respectively. STOP should be illuminated except when the stop button is pressed. FSWOP and FSWCL should be

| LED | On | Off |
|----------------|--------------------------------------------------|----------------------------|
| OP_A | Command Given | No Command |
| OP_B | Command Given | No Command |
| Stop | No Command | Command Given |
| FSW Open | Opening reversing devices clear | Reversing device triggered |
| FSW Close | Closing reversing devices clear | Reversing device triggered |
| FCA1 FCC1 | Flashes when gate coder is in use. Operator 1 | |
| FCA 2 FCC 2 | Flashes when gate coder is in use. Operator 2 | |



This display shows the meaning of each LED.

This display shows the normal status of the control panel.

Figure 12. The 455 D display.

opening and closing, respectively, are triggered. Use the LEDs and the next table to determine if the accessory devices you have installed are operating properly.

Electric Locks: An electric lock can be wired to the 455 D in terminals 18 and 21 (12Vac pulsed provided). If a reversing stroke is needed to allow the electric lock to release, this must be done in advanced programming.

See page 19 for the connections for a magnetic locking device.

WARNING LIGHT: Connect a warning light to terminals 18 and 20 in the group labeled *W.LIGHT* in terminal block J1 and J5. The terminals provide an output voltage of 24 VDC, maximum power 3 Watts. This output voltage will power most 24 VDC warning lights.

NOTE: The behavior of the warning light varies according to the logic you have set.

LOGICS A, S, E, EP, AND B: The warning light is on steadily during opening and the pause phase. During closing, the light flashes.

LOGIC C: The warning light is on steadily during opening and flashes during closing.

SET OTHER OPERATING CONTROLS

WARNING! Turn the main power off before you make any electrical connections.

You need to program the control panel for your gate's operation. The 455 D Control Panel has on board programming that controls a wide range of functions.

OPERATING LOGICS

NOTE: The 455 D Control Panel provides inputs for opening reversing devices and closing reversing devices. FAAC strongly recommends the use of reversing devices, such as photocells or other non-contact sensors.

- **A (automatic):** The gate opens on command and automatically closes after a pause phase. A second command while opening is ignored; a second command during the pause phase interrupts the pause time; a second command during closing reopens the gate. A maintained open command will hold the gate open.
- **S (security):** The security mode is like A logic except that a second command during opening immediately closes the gate. A maintained open command will not hold the gate open.

- **E (semi-automatic):** This mode requires a command to open and a command to close. A second command during opening stops the gate. A second command during closing reopens the gate.
- **EP (semi-automatic, step by step):** This mode requires a command to open and a command to close. A second command during opening or closing causes the gate to stop. A third command then reverses the previous motion of the gate.
- **B (manned, pulsed):** This mode is designed for guard station use and requires a three-button switch (pulsed) to open, close, and stop the gate.
- **C (manned and constant):** This mode requires constant pressure switches. One to open and one to close. No pressure on a switch stops the gate.

The three programming push buttons allow the programming of the torque (or pressure), the pause time between opening and closing, and the leaf delay on closing.

WARNING! Turn the main power off before you make any electrical connections.

For all FAAC hydraulic operators using the 455 D control panel, the force **must** be set at its maximum setting of 50 in order to supply the correct voltage to the operator.

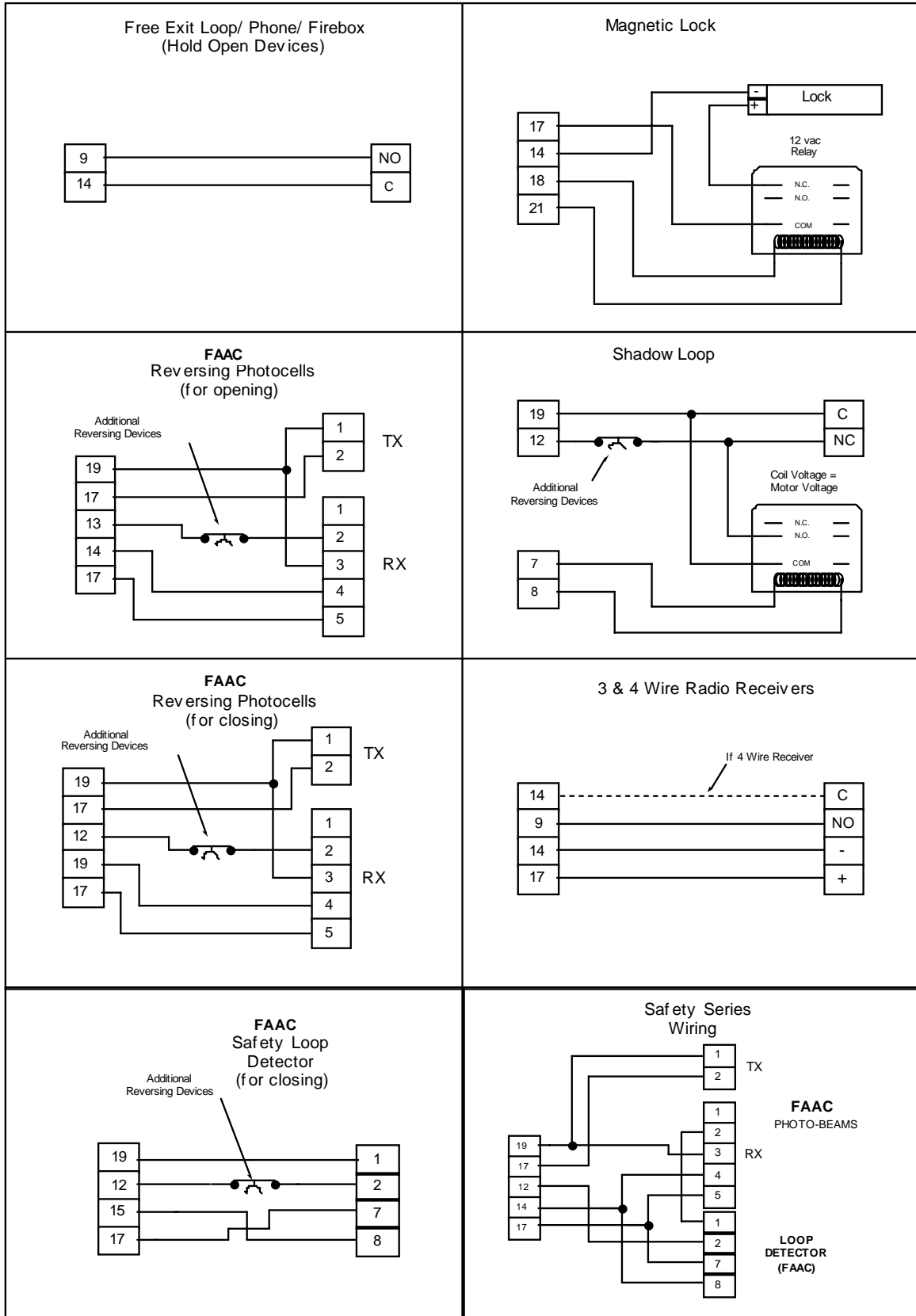
PAUSE TIME: The pause time between opening and closing can be adjusted from 0 seconds to 4 minutes. Time is adjusted in one-second increments from 0—59 seconds. When 60 seconds is reached, time is adjusted in 10 second increments up to 4 minutes. i.e. if display shows 2.5, it means 2 minutes and 50 seconds.

LEAF DELAY: You may choose to delay one leaf on closing for overlapping gate leaves. Be sure the operator on the leaf for delayed closing is connected to Motor 1. On opening, the leaf connected to Motor 2 is delayed 2.5 sec.

NOTE: If an opening leaf delay is desired, it must be enabled in the Advance Programming. However, if enabled, you cannot *adjust* this opening delay of the operator connected to Motor 2.

The closing leaf-delay time is adjustable from 0 to 4 minutes.

NOTE: If the opening/closing time is set at less than the leaf delay time, the delayed leaf closes at the end of the closing time.



NO = Normally Open, NC = Normally Closed, C = Common, TX = Transmitter, RX = Receiver

Figure 13. Common Accessories wired to 455 D Control Panel

PROGRAMMING

To program the automated system, the "Programming Mode" must be accessed.

Programming is split into two parts: BASIC and ADVANCED.

BASIC PROGRAMMING

To access BASIC PROGRAMMING, press the "F" key.

- If you press it (and hold it down), the display shows the name of the first function.
- If you release the key, the display shows the value of the function that can be modified with keys + and - .
- If you press and hold down the "F" key again (and hold it down), the display shows the name of the next function, etc.
- When you reach the last function, press "F" to exit the program, and the display resumes showing the status of the inputs.

The table on the right shows the sequence of functions accessible in BASIC PROGRAMMING.




ADVANCED PROGRAMMING

To access ADVANCED PROGRAMMING, press the "F" key and, as you hold it down, press the "+" key:



- If you release the "+", the display indicates the name of the first function.
- If you release the "F" key, too, the display shows the value of the function that can be modified with keys "+" and "-".
- If you press the "F" key (and hold it down), the display shows the name of the next function, and if you release it, the value that can be modified with keys "+" and "-".
- When you reach the last function, press the "F" key to exit the program, and the display resumes showing the status of the inputs.

The table on page 9 shows the sequence of functions accessible in ADVANCED PROGRAMMING

| PROGRAM BUTTONS | | |
|-----------------|--------|-------|
| + | - | F |
| LEFT | MIDDLE | RIGHT |

| BASIC PROGRAMMING | | |
|-------------------------------------------------------------------------------------|--------------------------------------------------------------------------------------------------------------------------------------------------------------------------------------------------------------------------------------------------------------------------------------------------------------------------------------------------------------------------------------------------------------|---------|
|  | | |
| Display | Function | Default |
| LO | OPERATING LOGICS A = Automatic (Timer to Close) E = Semi Automatic S = Security EP = (Semi-Automatic) Step by Step B = Manned, Pulsed C = Manned, constant | E |
| PA | PAUSE TIME This is the time between open and closing and is adjustable from 0 to 4 min. This is only true in "A" Mode. (see pause time description) | 0 |
| F1 | FORCE/TORQUE MOTOR 1 This adjusts the force / torque that motor 1 is applying to the gate leaf. Setting is 0 to 50.* | 25 |
| F2 | FORCE/TORQUE MOTOR 2 This adjusts the force / torque that motor 2 is applying to the gate leaf. Setting is 0 to 50.* | 25 |
| cd | CLOSING LEAF DELAY Delays the closing of operator wired into motor one outputs. Adjustable from 0 to 4 minutes (Same as pause time) | 0 |
| LL | MOTOR RUN TIME This enables where you choose from "simple" learning or "complete" learning of the motor run time. See page 10 & 11 for complete details. Simple Learning  ≈ 1 s. Complete Learning  > 3 s. | |
| In | EXIT PROGRAMMING Exit from programming and return to display of inputs status. | |

* With Hydraulic operators the Force/Torque must be set to the maximum setting of 50.

| ADVANCED PROGRAMMING | | | | |
|-----------------------------------------------------------------------------------------------------------------------------------------------------------------------|-------------------------------------------------------------------------------------------------------------------------------------------------------------------------------------------|---------|----|-----------------------------------------------------------------------------------------------------------------------------------------------------------------------------------------------------------------------------------------------------------------------------------------------------------------------------------------|
| Display | Function | Default | | |
|  +  | | | | |
| bo | MAXIMUM TORQUE AT INITIAL THRUST: The motors operate at maximum torque (ignoring the torque setting) at start of movement. Useful for heavy leaves. Y = Enable No = Disabled | no | Ph | INDICATOR-LIGHT: If 0 is selected, the output functions as a standard indicator-light (lite at opening and pause, flashing at closing, and off when gate closed). Time can be adjusted from 0 to 59s in 1s increments, and from 1.0 to 4.1 min. in 10s steps. 0 = Standard Indicator-Light From 1 to 4.1 = Timed Output |
| cs | LAST STROKE AT CLOSING: The motors are activated at full speed for 1s to facilitate locking of the electric lock. Y = Enable | no | Rd | CLOSING PHOTOCELLS REVERSE AT RELEASE: Enable this function if you want the closing photocells to stop the gate and reverse it after the beam is cleared. Default setting is immediate reverse. Y = Enable No = Disabled |
| rs | REVERSING STROKE: Before opening, while the gate is closed, the motors thrust to close for 2 s thus facilitating release of the electric lock. Y = Enable | no | Sp | A.D.M.A.P. FUNCTION: If this function is enabled, the safety devices to comply with French standard NFP 25/362. Y = Enable No = Disabled |
| od | LEAF 2 OPENING DELAY (2s): Enables delayed start of leaf 2, avoiding interference between leaves. Y = Enable No = Disabled | no | RS | ASSISTANCE REQUEST (COMBINED WITH NEXT FUNCTION): If activated, at the end of countdown (settable with the next function, i.e. "Cycle programming") it effects 8s of pre-flashing at every Open pulse (job request). Can be useful for setting scheduled maintenance jobs. Y = Enable No = Disabled |
| fs | FAIL SAFE: If this function is activated, it enables a function test of the photocells before any gate movement. Y = Enable | no | nc | CYCLE PROGRAMMING: For setting count down of system operation cycles. Settable (in thousands) from 0 to 99 thousand cycles. The displayed value is updated as cycles proceed. This function can be used to check use of the board or to exploit the "Assistance Request" function. |
| pf | PRE FLASHING (5s): 5s before start of movement. Y = Enable | no | EC | EXTRA WORK TIME: When operating, if reversing occurs, and if the leaf does not reach its end contact point, you can activate this function to increase work time. Y = ACTIVE NO = DISABLED |
| el | ELECTRIC LOCK ON LEAF 2: For using the electric lock on leaf 2 instead of on leaf 1. Y = Enable | no | in | EXIT PROGRAMMING: Exit from programming. |

LEARNING OF OPERATING TIMES

WARNING: During the learning procedure, the safety devices are disabled! Therefore, any and all traffic must be avoided in the path of the gate leaf(s).

NOTE: Programming must start with the gate(s) in the closed position.

Opening/closing time is established by the learning procedure which varies slightly according to whether you are or are not using Gatecoders.

LEARNING OF NORMAL TIMES

Normal learning (i.e. without Gatecoders) can be done in two different ways:

SIMPLE LEARNING (WITHOUT SLOW DOWN)

Close the gates, enter "BASIC PROGRAMMING", select the TIME LEARNING function and press the + push-button for 1 second the display begins flashing and the leaves begin the opening movement.

Wait for the leaves to reach the opening positive stop and then supply an OPEN A command after the desired motor run time has been reached (by push-button or radio control) to stop the movement: the leaves stop and the display stops flashing. Press the 'F' Button one more time. One more command given will close the gate.

The procedure has ended and the gate is ready to operate.

COMPLETE LEARNING (WITH SLOW DOWN)

NOTES:

- If you do not wish to slow the gate operator(s) down, wait for the gate to reach its positive stop and supply two (2) consecutive open commands (within 1 second).
- If only one gate operator (1) is used, you must go through the entire programming procedure, as if you were programming for two gate operators (2). When the operator has finished opening, supply 5 open commands until the gate operator begins to close, and then resume normal operations.

Close the gates, enter "BASIC PROGRAMMING", select the TIME LEARNING function and press the + push-button for more than 3 seconds: the display begins flashing and leaf 1 begins opening. The following functions

can be commanded by the OPEN A (by push-button wired to terminals 9 and 14, or radio control):

- When gate operator (1) reaches the position that you want it to slow down, an open command must be given to start the slow down phase.
- When gate operator (1) reaches the positive stop and the desired motor run time has been reached, an open command must be given to shut the motor off. At this point gate operator (2) will automatically start to open.
- When gate operator (2) reaches the position that you want it to slow down, an open command must be given to start the slow down phase.
- When gate operator (2) reaches the positive stop and the desired motor run time has been reached, an open command must be given to shut the motor off. At this point gate operator (2) will automatically start to close.
- When gate operator (2) reaches the position that you want it to slow down, an open command must be given to start the slow down phase.
- When gate operator (2) reaches the positive stop and the desired motor run time has been reached, an open command must be given to shut the motor off. At this point gate operator (1) will automatically start to close.
- When gate operator (1) reaches the position that you want it to slow down, an open command must be given to start the slow down phase.
- When gate operator (1) reaches the positive stop and the desired motor run time has been reached, an open command must be given to shut the motor off.

The display stops flashing and the gate is ready for normal operation.

LEARNING TIMES WITH GATECODER

Learning with the Gatecoder can be done in two different ways:

SIMPLE LEARNING

Close the gates, enter "Basic Programming", select the TIME LEARNING function and press the + push-button for 1 second: the display begins flashing and the leaves begin the opening movement.

The movement stops automatically when the opening positive stop is reached and the display stops

flashing.

The procedure has ended and the gate is ready to operate, using default slow down automatically set by the control panel.

COMPLETE LEARNING

NOTES:

- If only one gate operator (1) is used, you must go through the entire programming procedure, as if you were programming a gate operator (2). When the gate operator (1) has finished opening, supply 5 open commands until the gate operator begins to close, and then resume normal operations.

Close the gates, enter "BASIC PROGRAMMING", select the TIME LEARNING function and press the + push-button for more than 3 seconds: the display begins flashing and leaf 1 begins opening movement. The following functions can be commanded by the OPEN A command (by radio control or key push-button):

- When gate operator (1) reaches the position that you want it to slow down, an open command must be given to start the slow down phase. When the gate operator reaches its positive stop, the operator will automatically shut off.
- An open command must be given to start opening gate operator (2).
- When gate operator (2) reaches the position that you want it to slow down, an open command must be given to start the slow down phase. When the gate operator reaches its positive stop, the operator will automatically shut off.
- An open command must be given to start closing gate operator (2).

- When gate operator (2) reaches the position that you want it to slow down, an open command must be given to start the slow down phase. When the gate operator reaches its positive stop, the operator will automatically shut off.
- An open command must be given to start closing gate operator (1).
- When gate operator (1) reaches the position that you want it to slow down, an open command must be given to start the slow down phase. When the gate operator reaches its positive stop, the operator will automatically shut off.

The display stops flashing and the gate is ready for normal operation.

NOTES:

- The open command to slow down the gate should be given before the gate reaches the positive stop to prevent the gate from hitting the stop at full speed. The positive stop could be mistaken for an obstacle and then upon hitting it, the gate(s) would automatically reverse on contact.

AUTOMATED SYSTEM TEST

When you have finished programming, check if the system is operating correctly.

Most important of all, check that the force is adequately adjusted and that the safety devices are operating correctly.

If pressure adjustments on hydraulic operators are not set before programming. It may need to be reprogrammed for desired results.

A (Automatic) Logic (455 D)

| Gate Status | Open A | Open B | Stop | Opening Reversing Device(s) | Closing Reversing Device(s) | Warning Light |
|-------------|----------------------------------------------------|-----------------------------------------------------------------------|----------------------------------|--------------------------------------------------------------|---------------------------------------------------------------|---------------|
| Closed | Opens both leaves and closes them after pause time | Opens single leaf connected to Motor 1 and closes it after pause time | No effect | No effect | No effect | Off |
| Opening | No effect | No effect | Stops | Stops; gate closes when reversing device no longer triggered | No effect | On |
| Opened | Interrupts the pause time | Interrupts the pause time | Stops | No effect | Gate remains open until reversing devices no longer triggered | On |
| Closing | Opens both leaves | Opens leaf | Stops | No effect | Depends on DIP switch 4 | Flashes |
| Stopped | Closes the leaves | Closes the leaf | No effect (opening is inhibited) | No effect | No effect (opening is inhibited) | On |

S (Security) Logic (455 D)

| Gate Status | Open A | Open B | Stop | Opening Reversing Device(s) | Closing Reversing Device(s) | Warning Light |
|-------------|----------------------------------------------------|-----------------------------------------------------------------------|----------------------------------|--------------------------------------------------------------|---------------------------------------------------------------|---------------|
| Closed | Opens both leaves and closes them after pause time | Opens single leaf connected to Motor 1 and closes it after pause time | No effect | No effect | No effect | Off |
| Opening | Closes both leaves | Closes leaf | Stops | Stops; gate closes when reversing device no longer triggered | No effect | On |
| Opened | Closes both leaves | Closes leaf | Stops | No effect | Gate remains open until reversing devices no longer triggered | On |
| Closing | Opens both leave | Opens leaf | Stops | No effect | Depends on DIP switch 4 | Flashes |
| Stopped | Closes the leaves | Closes the leaf | No effect (opening is inhibited) | No effect | No effect (opening is inhibited) | On |

B (Manned, Pulsed) Logic (455 D)

| Gate Status | Open A | Open B | Stop | Opening Reversing Device(s) | Closing Reversing Device(s) | Warning Light |
|-------------|------------------------|-------------------------|-----------|-----------------------------|-----------------------------|---------------|
| Closed | Opens 1 or both leaves | No effect | No effect | No effect | No effect | Off |
| Opening | No effect | No effect | Stops | No effect | Stops | On |
| Opened | No effect | Closes 1 or both leaves | No effect | No effect | No effect | On |
| Closing | No effect | No effect | Stops | Stops | No effect | Flashes |
| Stopped | Opens 1 or both leaves | Closes 1 or both leaves | No effect | No effect | No effect | On |

E (Semi-automatic) Logic (455 D)

| Gate Status | Open A | Open B | Stop | Opening Reversing Device(s) | Closing Reversing Device(s) | Warning Light |
|----------------|--------------------|----------------------------------------|----------------------------------|--------------------------------------------------------------|----------------------------------|---------------|
| Closed | Opens both leaves | Opens single leaf connected to Motor 1 | No effect | No effect | No effect | Off |
| Opening | Stops | Stops | Stops | Stops; gate closes when reversing device no longer triggered | No effect | On |
| Opened | Closes both leaves | Closes leaf | Stops | No effect | No effect (opening is inhibited) | On |
| Closing | Closes both leaves | Closes leaf | Stops | No effect (opening is inhibited) | Depends on DIP switch 4 | Flashes |
| Stopped | Closes the leaves | Closes the leaf | No effect (opening is inhibited) | No effect | No effect (opening is inhibited) | On |

EP (Semi-automatic, Step by Step) Logic (455 D)

| Gate Status | Open A | Open B | Stop | Opening Reversing Device(s) | Closing Reversing Device(s) | Warning Light |
|----------------|-------------------------------|----------------------------------------|----------------------------------|--------------------------------------------------------------|----------------------------------|---------------|
| Closed | Opens both leaves | Opens single leaf connected to Motor 1 | No effect (opening is inhibited) | No effect (opening is inhibited) | No effect (opening is inhibited) | Off |
| Opening | Stops | Stops | Stops | Stops; gate closes when reversing device no longer triggered | No effect | On |
| Opened | Closes both leaves | Closes leaf | Stops | No effect | No effect (opening is inhibited) | On |
| Closing | Stops | Stops | Stops | No effect (opening is inhibited) | Depends on DIP switch 4 | Flashes |
| Stopped | Gate leaves reverse direction | Gate leaf reverses direction | No effect (opening is inhibited) | No effect (opening is inhibited) | No effect (opening is inhibited) | On |

C (Manned and Constant) Logic (455 D)

| Gate Status | Open A | Open B | Stop | Opening Reversing Device(s) | Closing Reversing Devices(s) | Warning Light |
|----------------|------------------------|-------------------------|-----------|-----------------------------|------------------------------|---------------|
| Closed | Opens 1 or both leaves | No effect | No effect | No effect | No effect | Off |
| Opening | No effect | No effect | Stops | No effect | Stops | On |
| Opened | No effect | Closes 1 or both leaves | No effect | No effect | No effect | On |
| Closing | No effect | No effect | Stops | Stops | No effect | Flashes |
| Stopped | Opens 1 or both leaves | Closes 1 or both leaves | No effect | No effect | No effect | On |

MAINTENANCE

THE 400 OPERATOR

The FAAC recommended maintenance schedule varies according to the frequency of use of the operators, whether lightly used operators (once or twice an hour) or heavily used operators (many cycles per hour). Operators used in a humid/ salt air climate should follow the heavy duty use schedule.

Check the oil.

To check the oil level correctly, remove the locking cap from the operator. The operator should be at least half full.

Note: You will not be able to see the oil level. Use something flexible (i.e. A piece of stranded wire) to act as a dipstick.

If the operator is too full, it will bleed oil out the vent hole.

Light duty use: check once per year
Heavy duty use: check every 6 mo

Change the oil.

Changing the oil requires removing the operator from its installed position. Remove the locking cap and drain the oil out of the hole under the cap. Refill the operator with the proper new oil (see page 4).

Light duty use: change every 4 yr
Heavy duty use: change every 2 yr

Check the pressure settings.

Light duty use: check once per year
Heavy duty use: check every 6 mo

THE 455 D CONTROL PANEL

Keep the control panel free from spider webs, insects, etc. Otherwise, the control panel requires no maintenance.

SAFETY IN GATE DESIGN

- A gate is a potential traffic hazard, so it is important that you locate the gate far enough away from the road to eliminate the potential of traffic getting backed up. This distance is affected by the size of the gate, how often it is used, and how fast the gate operates.
- The operator you choose to install on your gate must be designed for the type and size of your gate and for the frequency with which you use the operator.
- Your gate must be properly installed and must work freely in both directions *before* the automatic operator is installed.
- An automatic operator should be installed on the inside of the property/fence line. Do not install the operator on the public side of the property/fence line.
- Outward swinging gates with automatic operators should not open into a public area.
- Pedestrians should not use a vehicular gate system. Prevent such inappropriate use by installing separate gates for pedestrians.
- The operating controls for an automatic gate must be secured to prevent the unauthorized use of those controls.
- The controls for an automatic gate should be located far enough from the gate so that a user cannot accidentally touch the gate when operating the controls.
- Exposed, reachable pinch points on a gate are potentially hazardous and must be eliminated or guarded.
- It is extremely unsafe to compensate for a damaged gate by over tightening a clutch or increasing hydraulic pressure.
- An automatic gate operator should not be installed on a gate if people can reach or extend their arms or legs through the gate. Such gates should be guarded or screened to prevent such access.

TROUBLESHOOTING

WARNING! Before you do any work on the control panel, be sure to turn off the main power.

NOTE: Any control panel specific information in the following applies to the 455 D control panel only.

PROBLEM: THE GATE DOES NOT RESPOND TO AN ACTIVATING SIGNAL.

SOLUTION:

You should have at least one operator wired to terminals 1,2 and 3.

Be sure that you have the motor start capacitors wired in terminals 2 and 3, 5 and 6 with the directional leads.

Be sure that the torque/force setting is at the maximum setting of 50 in programming.

Verify that the LEDs FSWOP, FSWCL, and the STOP are illuminated. If they are not illuminated, be sure that you have closed circuits in the stop and reversing inputs.

Verify that your activating device works properly. OP_A should illuminate when you signal the gate to open. If OP_A does not illuminate when you signal the gate, then the problem may be in your activating device. Short across terminals 9 and 14. If the short causes the gate to open, then the problem is in the activating device. Repair or replace the device.

PROBLEM: THE GATE DOESN'T OPEN (OR CLOSE) THOUGH THE MOTORS ARE RUNNING.

SOLUTION:

Make sure that the motor is running in the right direction, and make sure the Manual Release mechanism has fully engaged the hydraulic system.

Increase the bypass pressure in small 1/4 turn increments to see if the hydraulic system needs more pressure.

PROBLEM: THE GATE OPENS BUT DOES NOT CLOSE.

SOLUTION:

Make sure you have selected the desired operating mode.

Verify that the reversing devices are working properly. FSWOP and FSWCL should be illuminated except when a reversing device is triggered. If either does not illuminate, then one of your reversing devices is preventing the gate from responding to your signal.

Check your reversing devices.

If no reversing devices are installed, make sure a circuit is installed between appropriate terminals.

PROBLEM: THE GATE DOES NOT FULLY OPEN (OR CLOSE).

SOLUTION:

Increase the bypass pressure(s) to see if the hydraulic system needs more pressure.

Check the operator's open/ close time selection. You should set a time that is just longer than the rated speed of your model of operator. For example, because the 400 CBAC has a rated opening time of 17 sec, you should set the time at 20 or 25 seconds.

Check to see that there are no obstructions in the path of the gate or that the hinges are not binding.

PROBLEM: THE OPERATOR DOESN'T WORK SMOOTHLY AND THE GATE JERKS AS IT OPENS AND CLOSES.

SOLUTION:

Check the oil level in the operator.

Make sure the Manual Release mechanism has fully engaged the hydraulic operation of the operator.

Bleed the air from the hydraulic system. (See page 11).

Make sure that a flexible gate leaf is not the problem. If the gate leaf flexes, then stiffen the gate or use a slower operator.

PROBLEM: THE GATE DRIFTS OPEN OR CLOSE WHEN THE MOTOR IS NOT RUNNING.

SOLUTION:

Remove the manual release valve, located next to the pressure adjustment screws, with a 6mm hex key. Be sure that the white ring and the o'ring are not damaged. If not damaged, there may be internal damage and a seal kit will be needed to rebuild the unit.

LIMITED WARRANTY

To the original purchaser only: FAAC International, Inc., warrants, for twenty-four (24) months from the date of invoice, the gate operator systems and other related systems and equipment manufactured by FAAC S.p.A. and distributed by FAAC International, Inc., to be free from defects in material and workmanship under normal use and service for which it was intended *provided* it has been properly installed and operated. FAAC International, Inc.'s obligations under this warranty shall be limited to the repair or exchange of any part of parts manufactured by FAAC S.p.A. and distributed by FAAC International, Inc. Defective products must be returned to FAAC International, Inc., freight prepaid by purchaser, within the warranty period. Items returned will be repaired or replaced, at FAAC International, Inc.'s option, upon an examination of the product by FAAC International, Inc., which discloses, to the satisfaction of FAAC International, Inc., that the item is defective. FAAC International, Inc. will return the warranted item freight prepaid. The products manufactured by FAAC S.p.A. and distributed by FAAC International, Inc., are not warranted to meet the specific requirements, if any, of safety codes of any particular state, municipality, or other jurisdiction, and neither FAAC S.p.A. or FAAC International, Inc., assume any risk or liability whatsoever resulting from the use thereof, whether used singly or in combination with other machines or apparatus.

Any products and parts not manufactured by FAAC S.p.A. and distributed by FAAC International, Inc., will carry only the warranty, if any, of the manufacturer. This warranty shall not apply to any products or parts thereof which have been repaired or altered, without FAAC International, Inc.'s written consent, outside of FAAC International, Inc.'s workshop, or altered in any way so as, in the judgment of FAAC International, Inc., to affect adversely the stability or reliability of the product(s) or has been subject to misuse, negligence, or accident, or has not been operated in accordance with FAAC International, Inc.'s or FAAC S.p.A.'s instructions or has

been operated under conditions more severe than, or otherwise exceeding, those set forth in the specifications for such product(s). Neither FAAC S.p.A. or FAAC International, Inc., shall be liable for any loss or damage whatsoever resulting, directly or indirectly, from the use or loss of use of the product(s). Without limiting the foregoing, this exclusion from liability embraces a purchaser's expenses for downtime or for making up downtime, damages for which the purchaser may be liable to other persons, damages to property, and injury to or death of any persons. Neither FAAC S.p.A. or FAAC International, Inc., assumes nor authorizes any person to assume for them any other liability in connection with the sale or use of the products of FAAC S.p.A. or FAAC International, Inc. The warranty hereinabove set forth shall not be deemed to cover maintenance parts, including, but not limited to, hydraulic oil, filters, or the like. No agreement to replace or repair shall constitute an admission by FAAC S.p.A. or FAAC International, Inc., of any legal responsibility to effect such replacement, to make such repair, or otherwise. This limited warranty extends only to wholesale customers who buy directly through FAAC International, Inc.'s normal distribution channels. FAAC International, Inc., does not warrant its products to end consumers. Consumers must inquire from their selling dealer as to the nature and extent of that dealer's warranty, if any.

This warranty is expressly in lieu of all other warranties expressed or implied including the warranties of merchantability and fitness for use. This warranty shall not apply to products or any part thereof which have been subject to accident, negligence, alteration, abuse, or misuse or if damage was due to improper installation or use of improper power source, or if damage was caused by fire, flood, lightning, electrical power surge, explosion, wind storm, hail, aircraft or vehicles, vandalism, riot or civil commotion, or acts of God.

**FAAC International, Inc.
303 Lexington Avenue
Cheyenne, WY 82007**